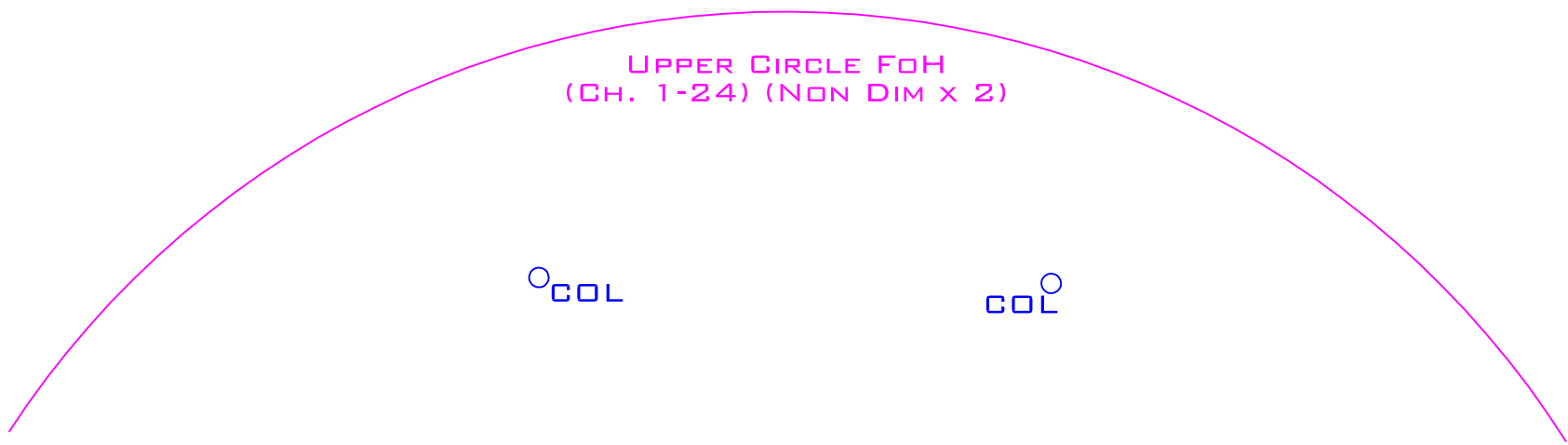


UPPER CIRCLE FOH  
(CH. 1-24) (NON DIM X 2)

COL

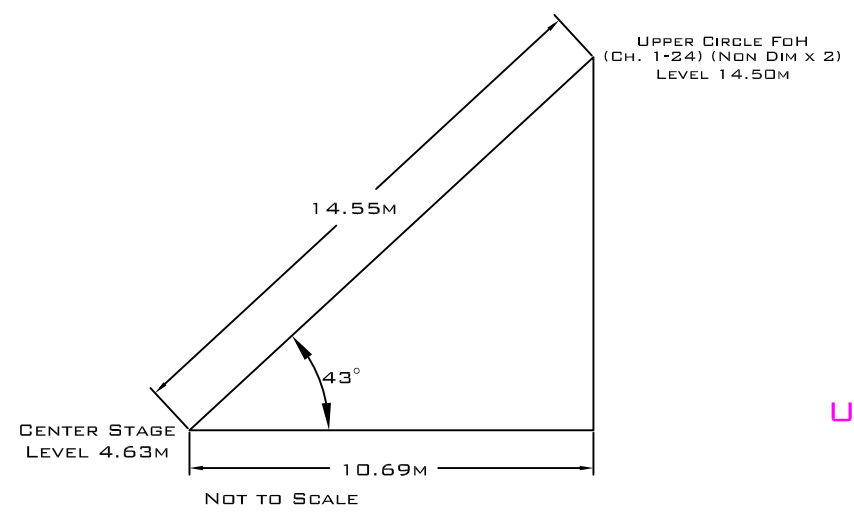
COL



COL

COL

UPPER CIRCLE FOH  
(CH. 29-32)  
(NON DIM X 1)



UPPER CIRCLE FOH  
(CH. 25-28)  
(NON DIM X 1)

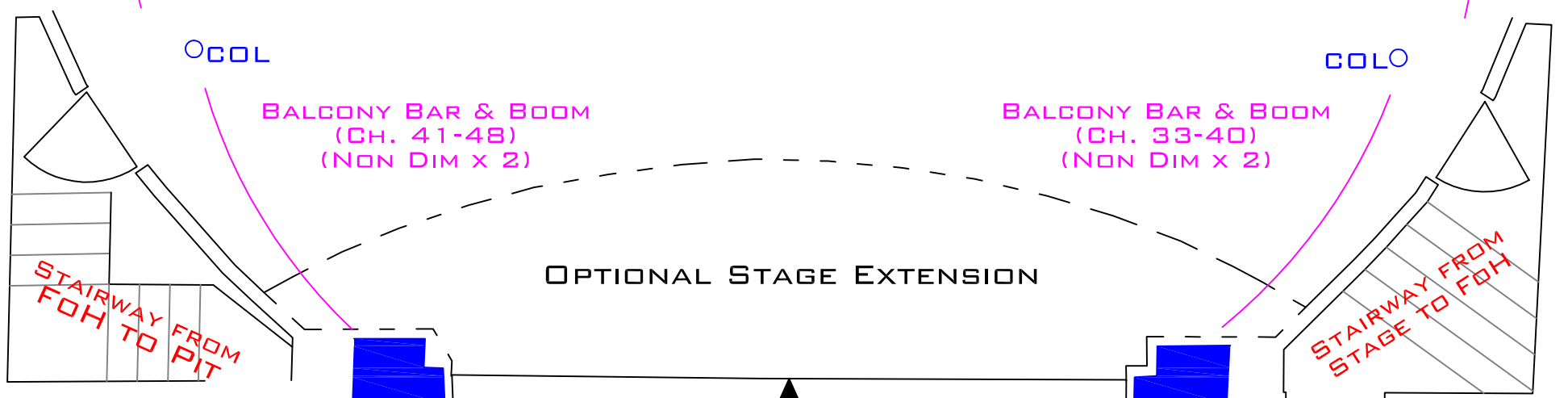
COL

COL

BALCONY BAR & BOOM  
(CH. 41-48)  
(NON DIM X 2)

BALCONY BAR & BOOM  
(CH. 33-40)  
(NON DIM X 2)

OPTIONAL STAGE EXTENSION



CENTER STAGE  
LEVEL 4.63M

GREEN ROOM /  
DRESSING ROOMS

POWER SUPPLY  
& CONTROL

POWER SUPPLY  
& CONTROL

SAFETY CURTAIN  
CONTROL

LX1 (CH. 49-60)

LX2 (CH. 61-72)

LX3 (CH. 73-84)

LX4 (CH. 85-96)

LX5 (CH. 97-108)

CYC BAR

GANTRY LINE

GANTRY LINE

SL SIDE BAR 1  
SL SIDE BAR 2  
POWER SUPPLY  
& CONTROL

SR SIDE BAR 1  
SR SIDE BAR 2  
POWER SUPPLY  
& CONTROL

SCENE DOCK  
/ FOH

POWER SUPPLY  
& CONTROL

SCENE DOCK /  
ORCHESTRA PIT

APRIL 2012  
A3 SCALE 1:50

THEATRE ROYAL LX